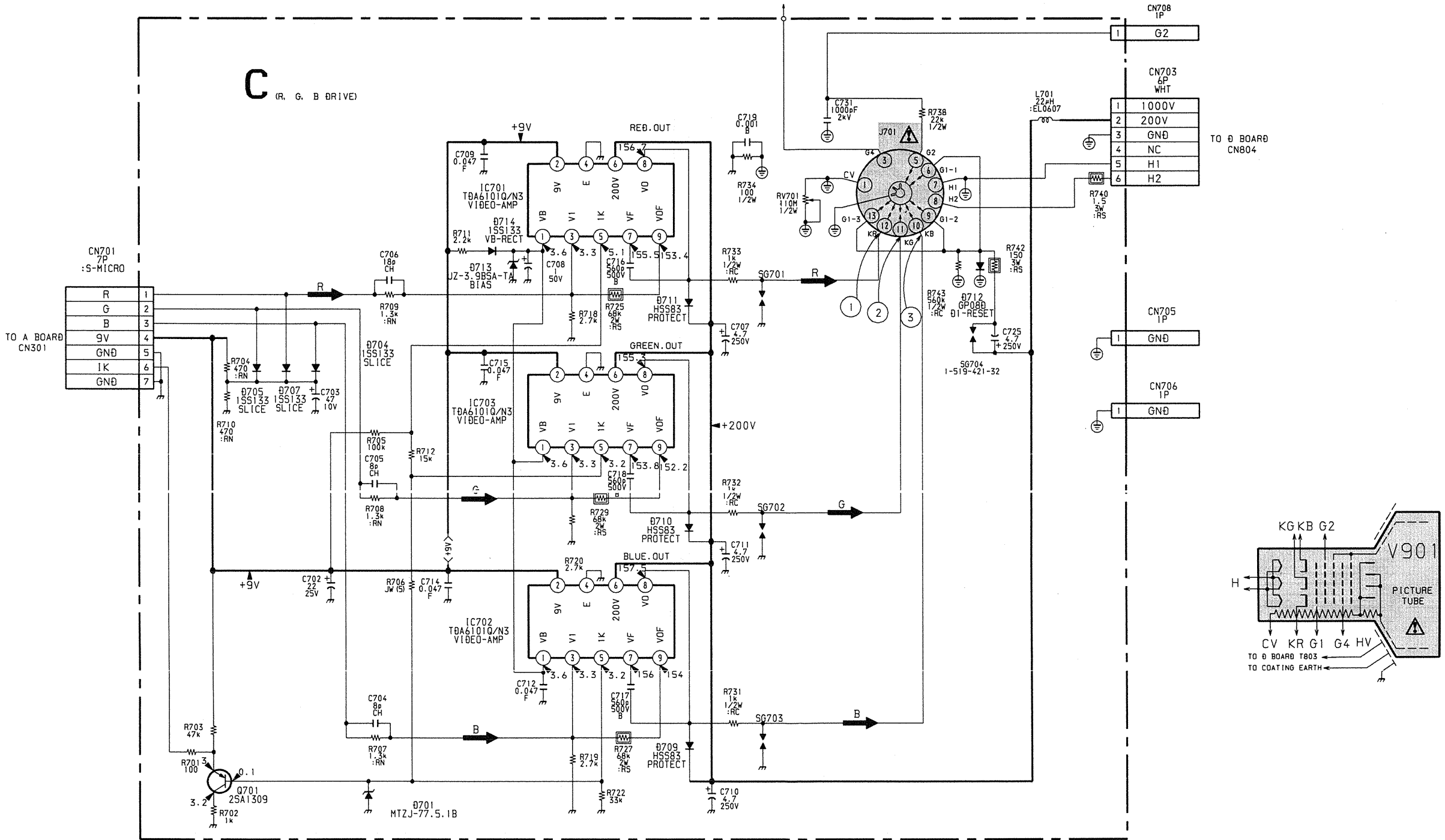


# SERVICE MANUAL

# BE-3E CHASSIS

<i>MODEL</i>	<i>COMMANDER</i>	<i>DEST</i>	<i>CHASSIS NO.</i>	<i>MODEL</i>	<i>COMMANDER</i>	<i>DEST</i>	<i>CHASSIS NO.</i>
<b><i>KV-28FX20A</i></b>	<i>RM-887</i>	<i>Italian</i>	<i>SCC-Q22A-A</i>	<b><i>KV-28FX201A</i></b>	<i>RM-887</i>	<i>Italian</i>	<i>SCC-Q22C-A</i>
<b><i>KV-28FX20B</i></b>	<i>RM-887</i>	<i>French</i>	<i>SCC-Q23A-A</i>	<b><i>KV-28FX201B</i></b>	<i>RM-887</i>	<i>French</i>	<i>SCC-Q23C-A</i>
<b><i>KV-28FX20D</i></b>	<i>RM-887</i>	<i>AEP</i>	<i>SCC-Q21A-A</i>	<b><i>KV-28FX201D</i></b>	<i>RM-887</i>	<i>AEP</i>	<i>SCC-Q21C-A</i>
<b><i>KV-28FX20E</i></b>	<i>RM-887</i>	<i>Spanish</i>	<i>SCC-Q24A-A</i>	<b><i>KV-28FX201E</i></b>	<i>RM-887</i>	<i>Spanish</i>	<i>SCC-Q24E-A</i>
<b><i>KV-28FX20U</i></b>	<i>RM-887</i>	<i>UK</i>	<i>SCC-Q25A-A</i>				

# C (R, G, B DRIVE)



CN701 7P :S-MICRO

R	1
G	2
B	3
9V	4
GND	5
1K	6
GND	7

CN708 1P G2

CN703 6P WHT

1	1000V
2	200V
3	GND
4	NC
5	H1
6	H2

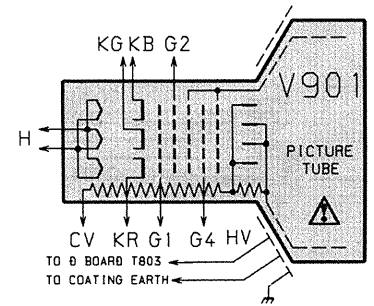
CN705 1P

1	GND
---	-----

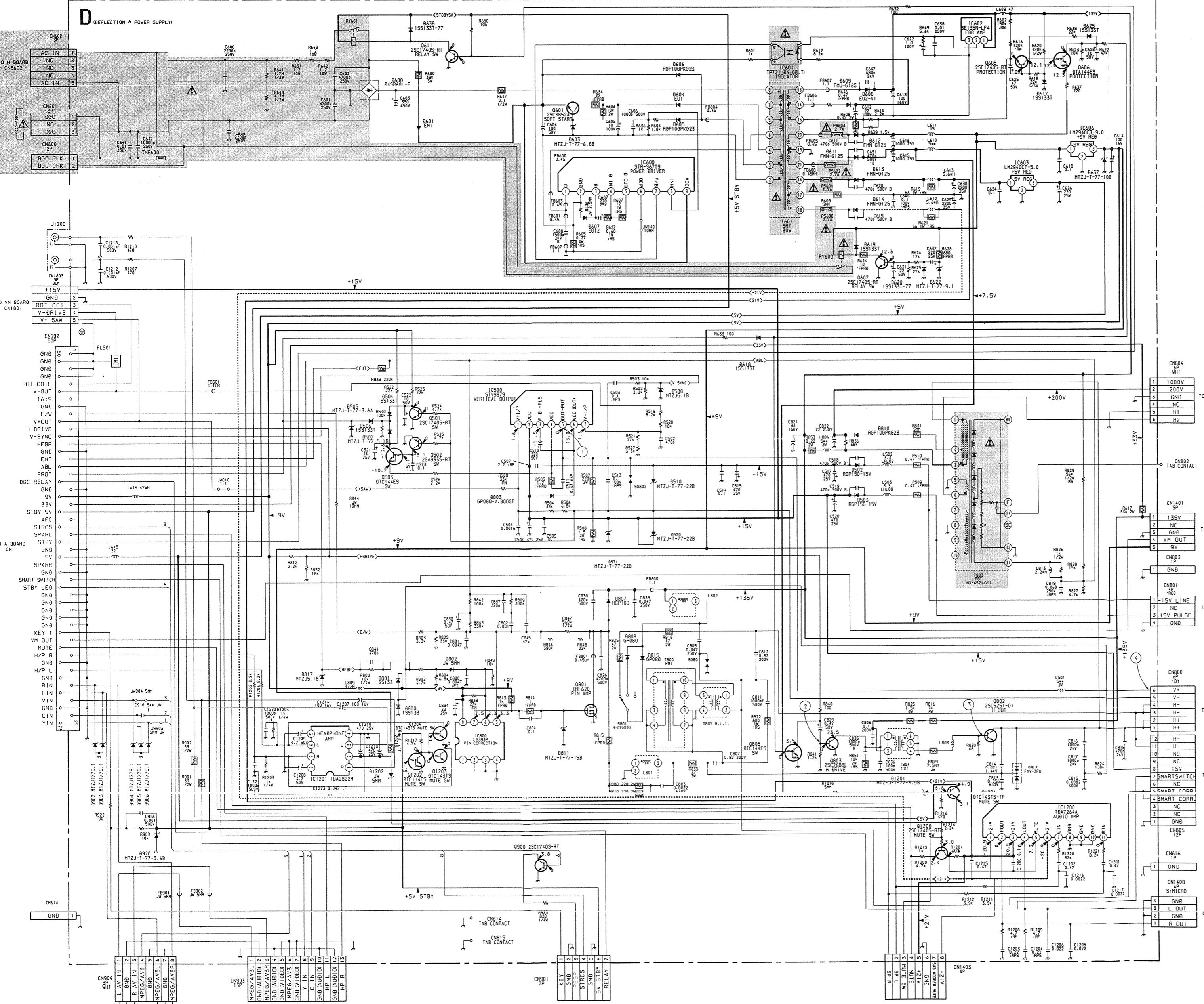
CN706 1P

1	GND
---	-----

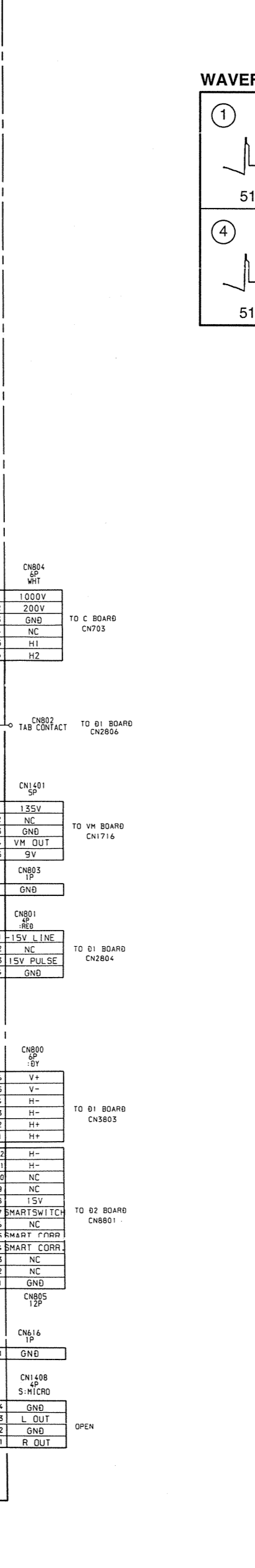
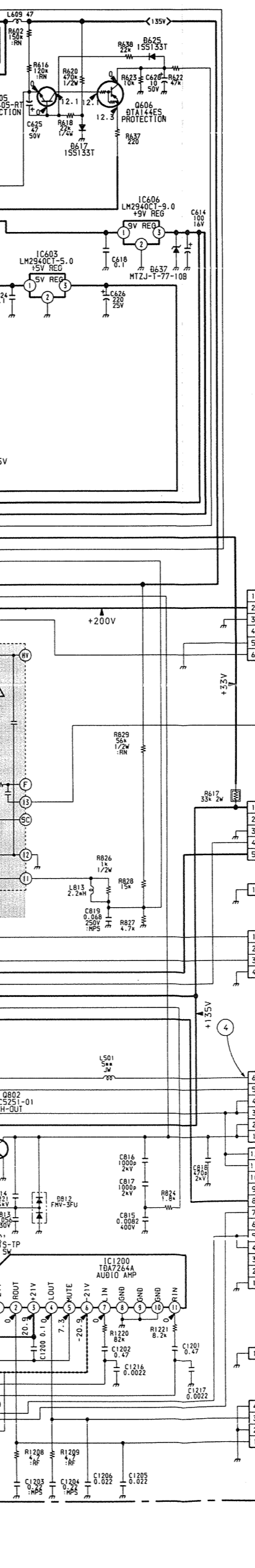
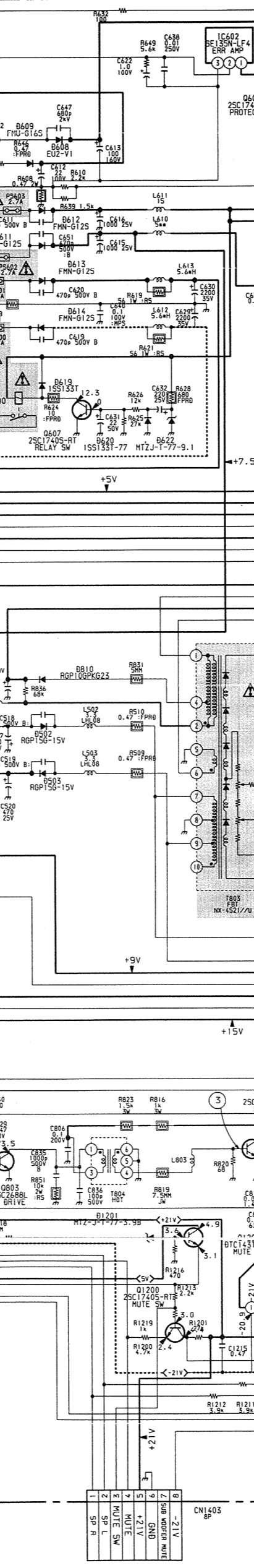
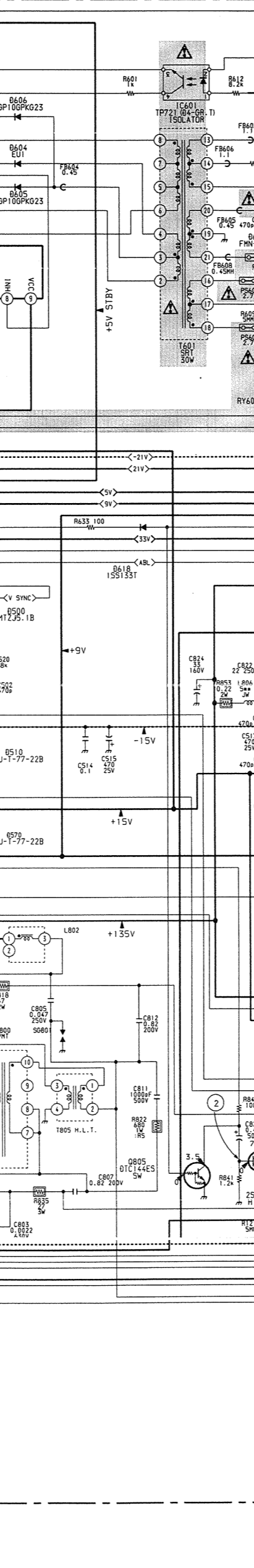
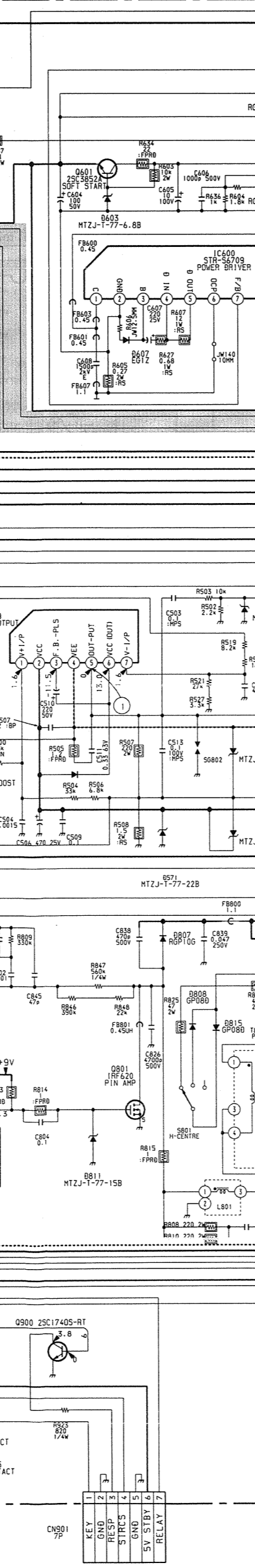
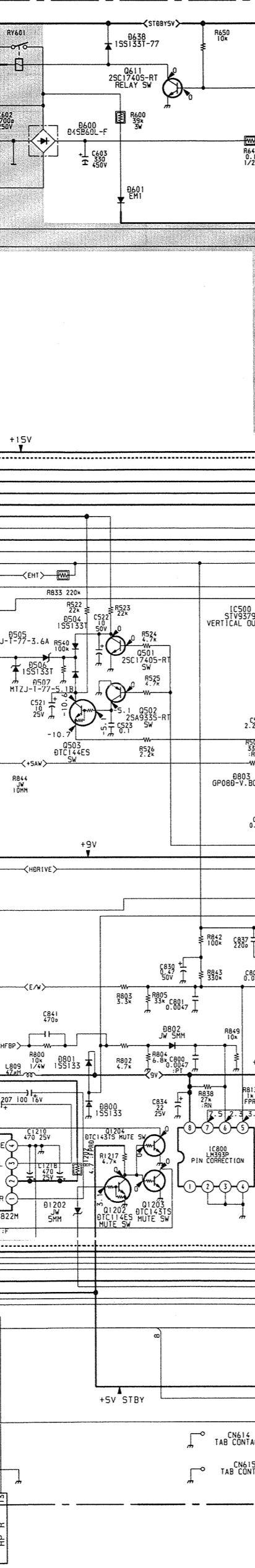
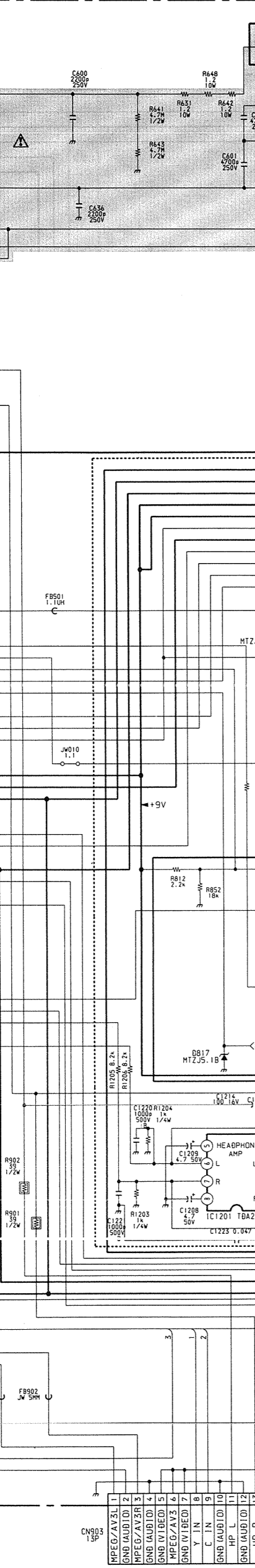
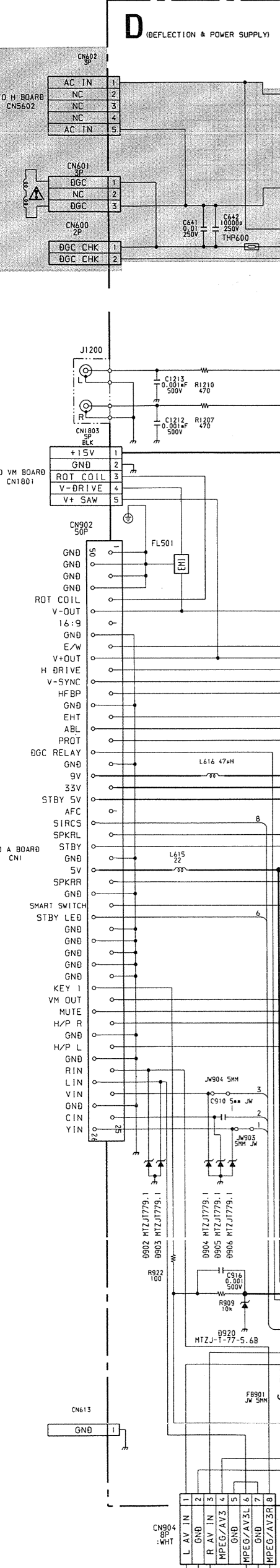
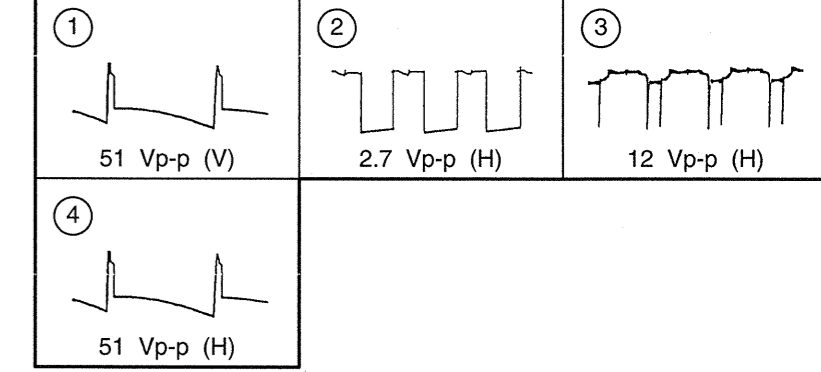
TO 0 BOARD CN804

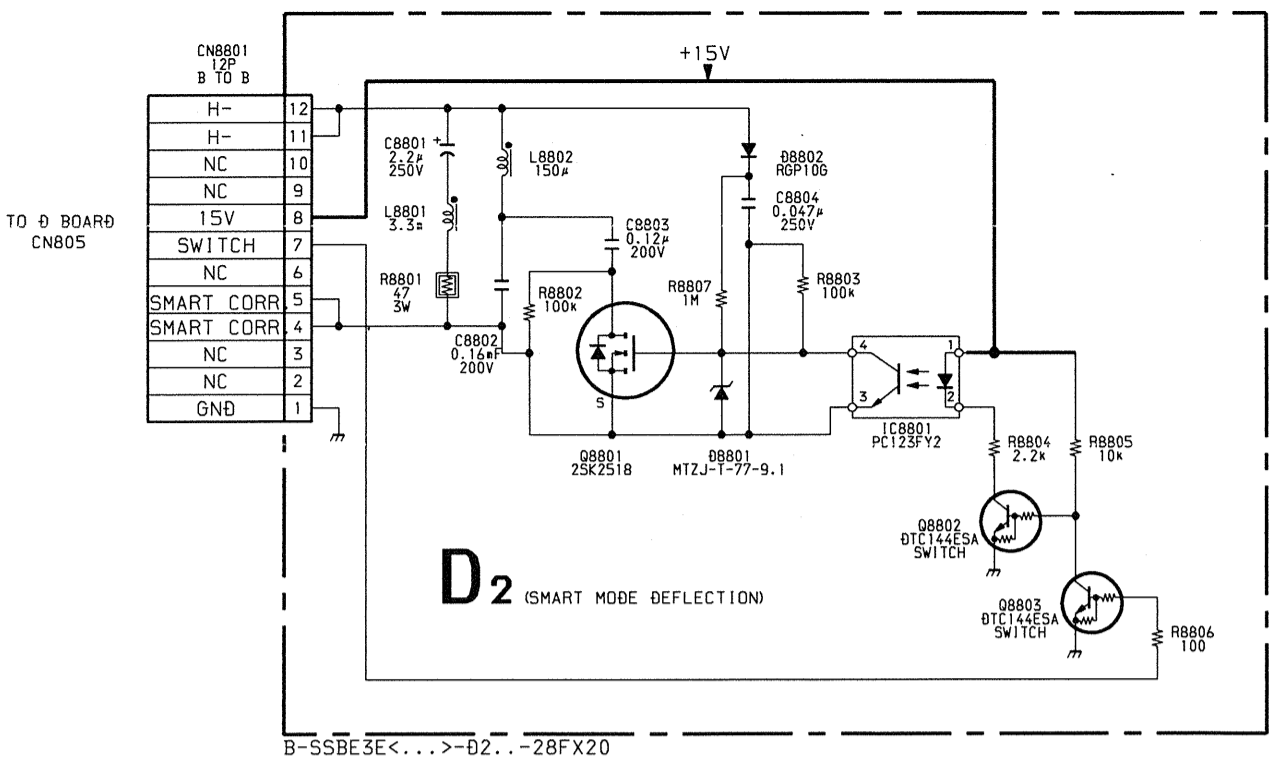


# D REFLECTION & POWER SUPPLY



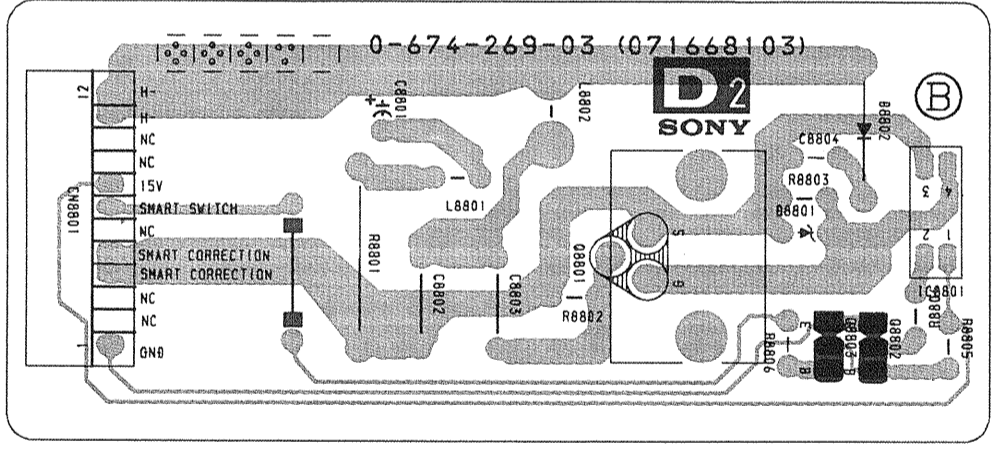
## WAVEFORMS D BOARD





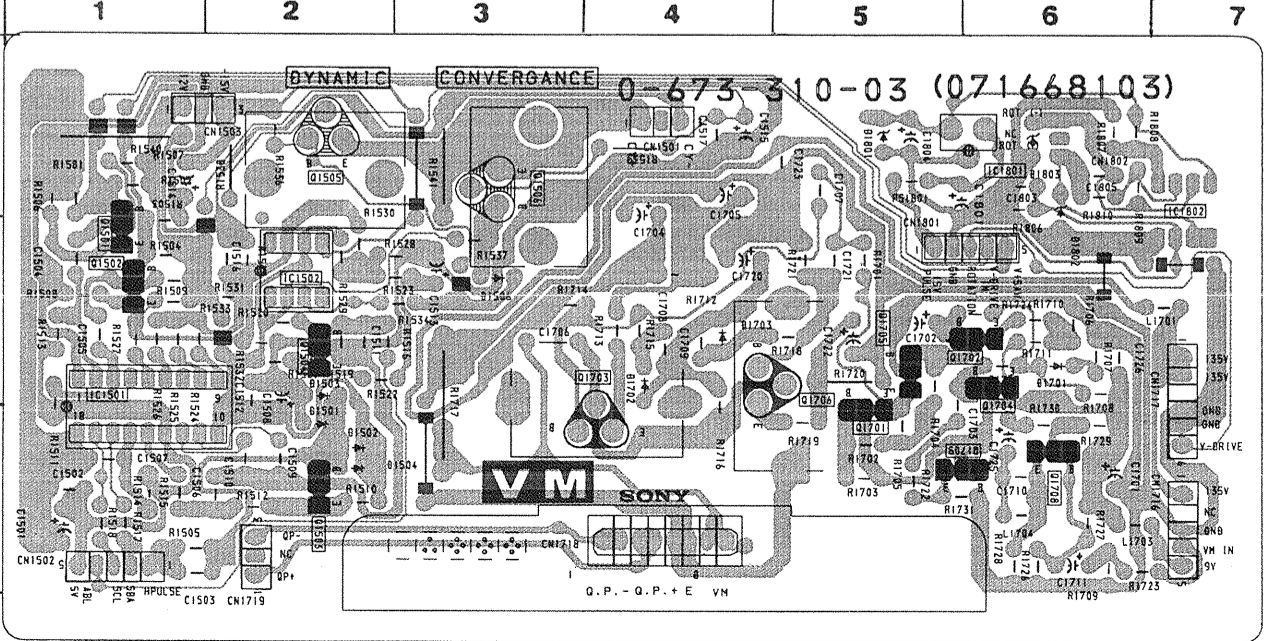
**D2** SMART MODE DEFLECTION

**D2 Board**

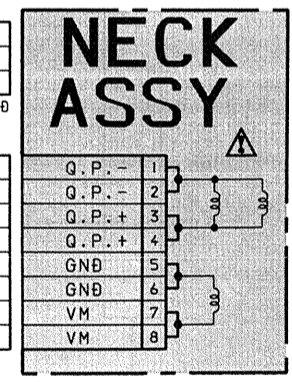
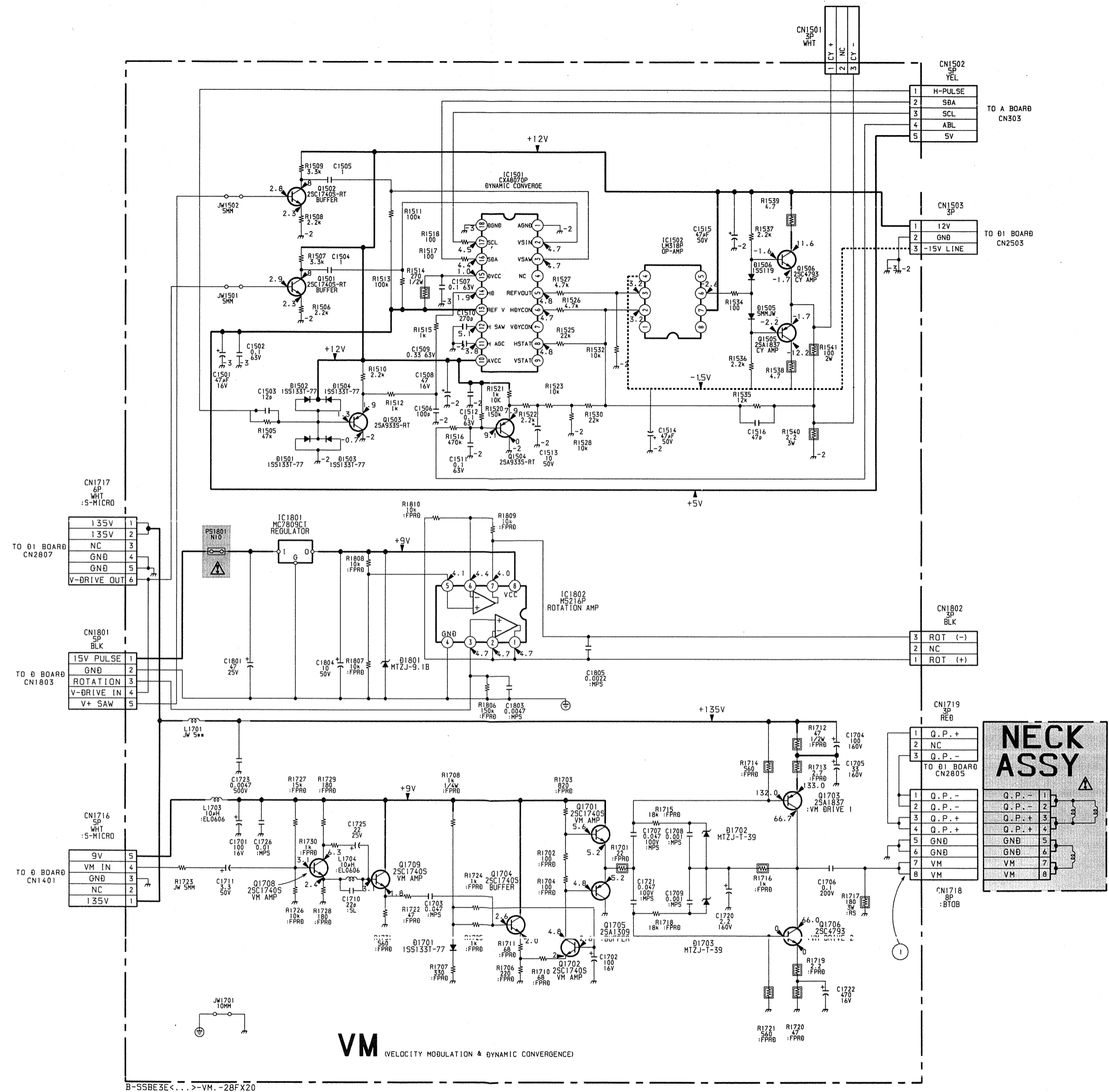


**VM** VELOCITY MODULATION & DYNAMIC CONVERGENCE

**VM Board**



A  
B  
C  
D  
E  
F  
G  
H  
I  
J  
K  
L  
M  
N



**VM** (VELOCITY MODULATION & DYNAMIC CONVERGENCE)